

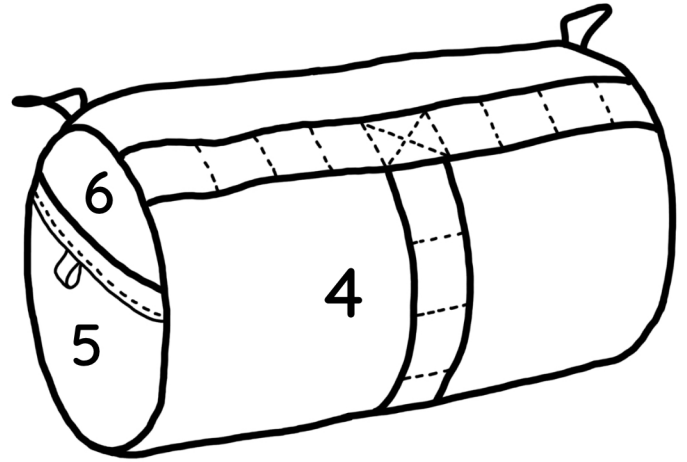
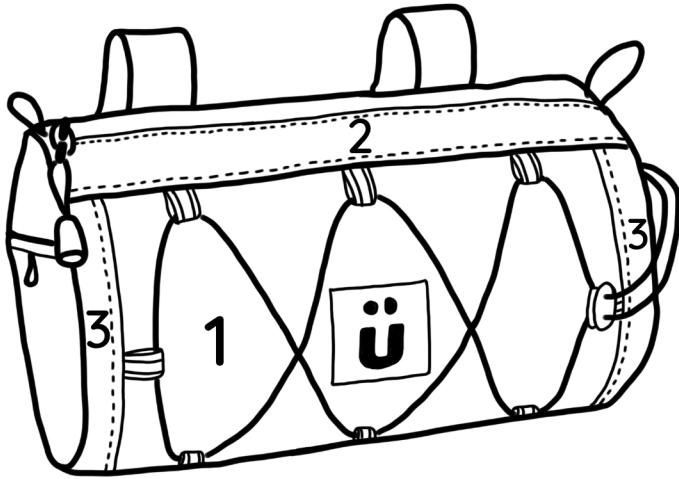
molekül order form

order # _____

name _____ date _____

address _____

mail _____



choose fabric and colour

- 1 front panel _____
- 2 upper front panel _____
- 3 side front panels _____
- 4 back panel _____
- 5 side panels _____
- 6 side pocket panels _____
- 7 inner fabric _____

choose extras

- shoulder strap +5

notes

●● handlebar bag - „handlebar harry“