

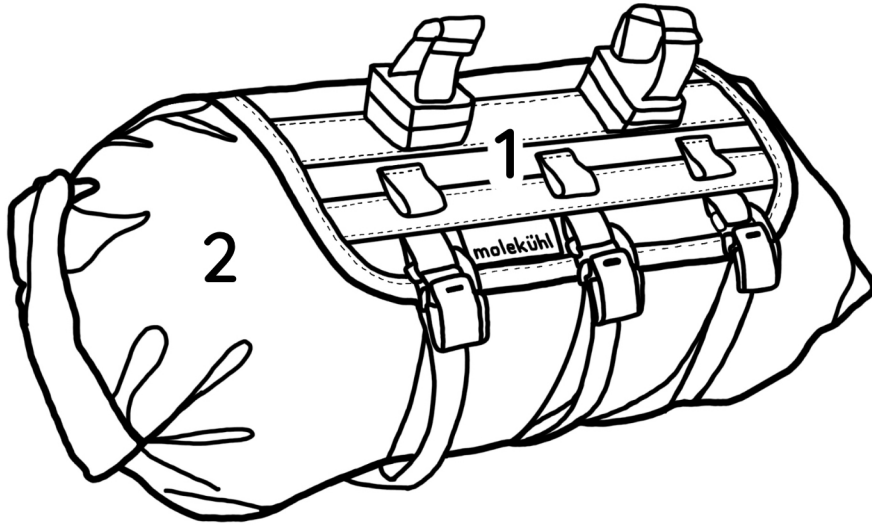
molekül order form

order # _____

name _____ date _____

address _____

mail _____



choose fabric and colour

1 holster main panel _____

2 drybag _____

notes

● ● handlebar harness - „harald“